

USB 3.1 SuperSpeed 10 Gbps Switch

FUSB340

Description

The FUSB340 is a 2:1 data switch for USB SuperSpeed Gen1 and Gen2, 5 Gbps and 10 Gbps data. It is targeted at the mobile device market and for use in Type-C applications where a reversible cable requires a switch.

The FUSB340 data switch offers superior performance various high speed data transmission protocols:

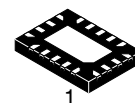
- USB 3.1 SuperSpeed (Gen 2), 10 Gbps
- PCI Express, Gen 3
- SATA
- Fibre Channel
- Display Port 1.3

Features

- 10 GHz Typical Bandwidth
- USB 3.1 SuperSpeed 5 Gbps and 10 Gbps Switch
- -1.0 dB Typical Insertion Loss at 2.5 GHz
- Low Active Power of 12 μ A Typical
- Low Shutdown Power of < 1 μ A Max.
- 2 kV HBM ESD Protection
- Small Packaging, 18 Lead TMLP
- Wide V_{DD} Operating Range, 1.5 V–5.0 V
- This is a Pb-Free Device

Applications

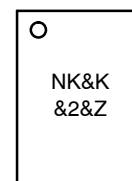
- Smartphones
- Tablets
- Notebooks



1

**X2QFN18
CASE 722AB**

MARKING DIAGRAM



NK = Specific Device Code
 &K = Lot Code
 &2 = Date Code
 &Z = Assembly Plant Code

ORDERING INFORMATION

See detailed ordering and shipping information on page 6 of this data sheet.

FUSB340

BLOCK DIAGRAM

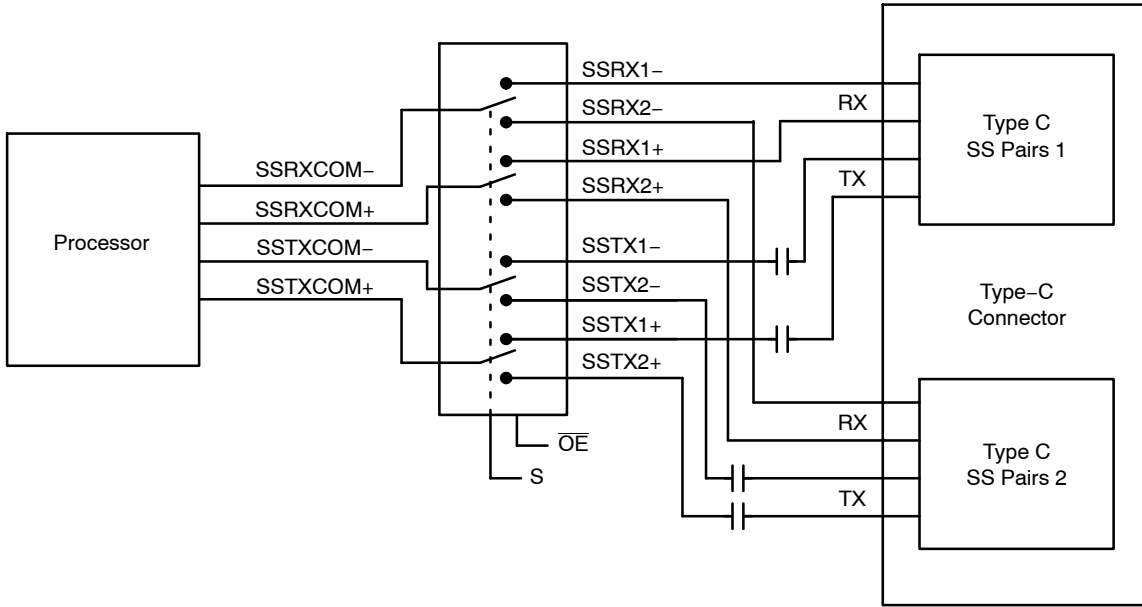


Figure 1. Block Diagram

TYPICAL APPLICATION

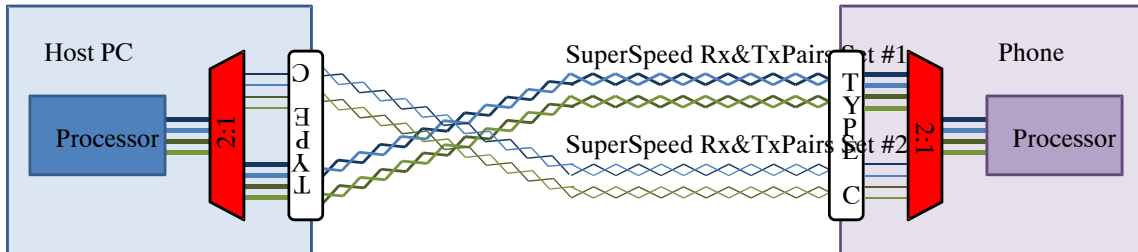


Figure 2. Typical Application

FUSB340

PIN CONFIGURATION

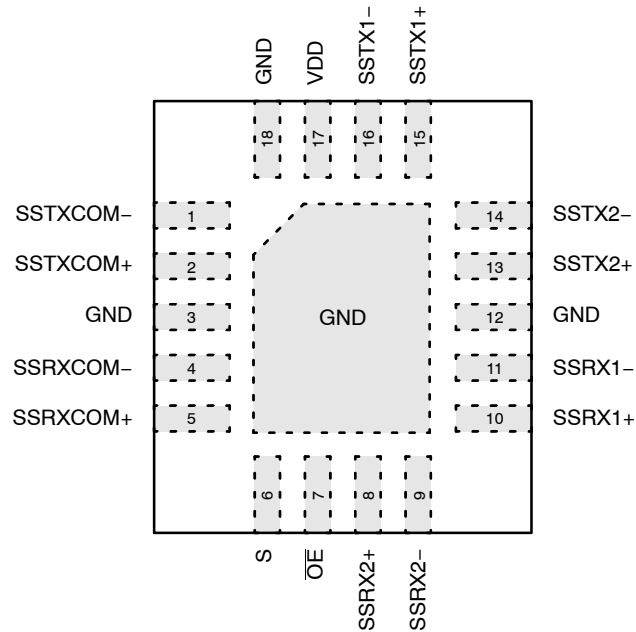


Figure 3. Pin Assignment (Top Through View)

PIN DESCRIPTIONS

| Pin # | Name | Type | Description |
|-------|-----------------|-------|---|
| 1 | SSTXCOM- | SW | SuperSpeed TX- Common |
| 2 | SSTXCOM+ | SW | SuperSpeed TX+ Common |
| 3 | GND | GND | Ground (connected to die attach pad) |
| 4 | SSRXCOM- | SW | SuperSpeed RX- Common |
| 5 | SSRXCOM+ | SW | SuperSpeed RX+ Common |
| 6 | S | Input | Switch Select (0 = SW1, 1 = SW2) |
| 7 | OE | Input | Output Enable (0 = Switches Enabled, 1 = Switches Disabled) |
| 8 | SSRX2+ | SW | SuperSpeed RX2+ |
| 9 | SSRX2- | SW | SuperSpeed RX2- |
| 10 | SSRX1+ | SW | SuperSpeed RX1+ |
| 11 | SSRX1- | SW | SuperSpeed RX1- |
| 12 | GND | GND | Ground (connected to die attach pad) |
| 13 | SSTX2+ | SW | SuperSpeed TX2+ |
| 14 | SSTX2- | SW | SuperSpeed TX2- |
| 15 | SSTX1+ | SW | SuperSpeed TX1+ |
| 16 | SSTX1- | SW | SuperSpeed TX1- |
| 17 | V _{DD} | VDD | Device Power |
| 18 | GND | GND | Ground |

FUSB340

ABSOLUTE MAXIMUM RATINGS

| Symbol | Parameter | Min | Max | Unit | |
|--------------------|---|----------|-----------------|------|----|
| V _{DD} | Supply Voltage | -0.5 | 6.0 | V | |
| V _{CNTRL} | DC Input Voltage (S, \overline{OE}) (Note 1) | -0.5 | V _{DD} | V | |
| V _{SW} | DC Switch I/O Voltage (Notes 1, 2) | -0.3 | 2.1 | V | |
| I _{IK} | DC Input Diode Current | -50 | - | mA | |
| I _{sw} | DC Switch Current | - | 25 | mA | |
| T _{STG} | Storage Temperature | -65 | +150 | °C | |
| MSL | Moisture Sensitivity Level (JEDEC J-STD-020A) | - | 1 | | |
| ESD | Human Body Model, JEDEC: JESD22-A114 | All Pins | 2 | - | kV |
| | IEC 61000-2-4, Level 4, for Switch Pins | Contact | 8 | - | |
| | | Air | 15 | - | |
| | Charged Device Model, JESD22-C101 | | 1 | - | |

Stresses exceeding those listed in the Maximum Ratings table may damage the device. If any of these limits are exceeded, device functionality should not be assumed, damage may occur and reliability may be affected.

- The input and output negative ratings may be exceeded if the input and output diode current ratings are observed.
- V_{SW} refers to analog data switch paths.

RECOMMENDED OPERATING RANGES

| Symbol | Parameter | Min | Max | Unit |
|------------------------|--|-----|------|------|
| V _{DD} | Supply Voltage | 1.5 | 5.0 | V |
| t _{RAMP(VDD)} | Power Supply Slew Rate | 100 | 1000 | μs/V |
| V _{CNTRL} | Control Input Voltage (S, \overline{OE}) (Note 3) | 0 | 5.0 | V |
| V _{SW} | Switch I/O Voltage (Both SSUSB Switch Paths) | 0 | 2.0 | V |
| T _A | Operating Temperature | -40 | +85 | °C |

Functional operation above the stresses listed in the Recommended Operating Ranges is not implied. Extended exposure to stresses beyond the Recommended Operating Ranges limits may affect device reliability.

- The control inputs must be held HIGH or LOW; they must not float.

DC AND TRANSIENT CHARACTERISTICS

All typical values are at T_A = 25°C unless otherwise specified.

| Symbol | Parameter | Conditions | V _{DD} (V) | T _A = -40°C to +85°C | | | Unit |
|------------------|---|---|---------------------|---------------------------------|-----|------|------|
| | | | | Min | Typ | Max | |
| V _{IK} | Clamp Diode Voltage S, \overline{OE} | I _{IN} = -18 mA | 1.5 | -1.2 | - | -0.6 | V |
| I _{IK} | Clamp Diode Current (Switch Pins) | V _{IN} = -0.3 V | 0 | - | - | 18 | μA |
| V _{IH} | Control Input Voltage High | S, \overline{OE} | 1.5 | 1.30 | - | - | V |
| | | S, \overline{OE} | 3.6 | 1.4 | - | - | V |
| | | S, \overline{OE} | 5.0 | 1.5 | - | - | V |
| V _{IL} | Control Input Voltage Low | S, \overline{OE} | 1.5 | - | - | 0.4 | V |
| | | S, \overline{OE} | 3.6 | - | - | 0.4 | V |
| | | S, \overline{OE} | 5.0 | - | - | 0.4 | V |
| I _{IN} | Control Input Leakage | V _{SW} = -0.6 to 2.0 V, V _{CNTRL} = 0 to V _{DD} | 5.0 | -500 | - | 500 | nA |
| I _{OZ} | Off-State Leakage for Open Data Paths | V _{SW} = 0.0 ≤ DATA ≤ 2.0 V | 5.0 | -0.5 | - | 0.5 | μA |
| I _{CL} | On-State Leakage for Closed Data Paths (Note 4) | V _{SW} = 0.0 ≤ DATA ≤ 2.0 V | 5.0 | -0.5 | - | 0.5 | μA |
| I _{OFF} | Power-Off Leakage Current (All I/O Ports) | V _{SW} = 0 V or 2.0 V | 0 | -500 | - | 500 | nA |

FUSB340

DC AND TRANSIENT CHARACTERISTICS (continued)

All typical values are at $T_A = 25^\circ\text{C}$ unless otherwise specified.

| Symbol | Parameter | Conditions | V_{DD} (V) | $T_A = -40^\circ\text{C to } +85^\circ\text{C}$ | | | Unit |
|-----------------|--|--|--------------|---|-----|-----|---------------|
| | | | | Min | Typ | Max | |
| R_{ON} | Switch On Resistance | $V_{SW} = 0\text{ V}, I_{ON} = -8\text{ mA}$ | 1.5 | – | 5.4 | 8.0 | Ω |
| ΔR_{ON} | Difference in R_{ON} Between Positive–Negative | $V_{SW} = 0\text{ V}, I_{ON} = -8\text{ mA}$ | 1.5 | – | 0.1 | – | Ω |
| R_{ONF} | Flatness for R_{ON} | $V_{SW} = 0 \leq \text{DATA} \leq 2.0\text{ V}, I_{ON} = -8\text{ mA}$ | 1.5 | – | 0.9 | – | Ω |
| I_{CC} | Quiescent Supply Current | $\overline{V_{OE}} = 0, V_{SEL} = 0\text{ or }V_{DD}, I_{OUT} = 0$ | 5.0 | – | 12 | 30 | μA |
| I_{CCZ} | Quiescent Supply Current (High Impedance) | $V_{SEL} = X, \overline{V_{OE}} = V_{DD}, I_{OUT} = 0$ | 5.0 | – | – | 1 | μA |
| I_{CCT} | Increase in Quiescent Supply Current per VCNTL | V_{SEL} or $\overline{V_{OE}} = 1.5\text{ V}$ | 5.0 | – | 5 | 15 | μA |

4. For this test, the data switch is closed with the respective switch pin floating.

AC ELECTRICAL CHARACTERISTICS

All typical value are for $V_{DD} = 3.6\text{ V}$ and $T_A = 25^\circ\text{C}$ unless otherwise specified.

| Symbol | Parameter | Conditions | V_{DD} (V) | $T_A = -40^\circ\text{C to } +85^\circ\text{C}$ | | | Unit |
|--------------|--|--|--------------|---|------|-----|---------------|
| | | | | Min | Typ | Max | |
| t_{ON} | Turn–On Time, S to Output | $R_L = 50\ \Omega, C_L = 0\text{ pF}, V_{SW} = 0\text{ V}, V_{SW} = 0.6\text{ V}$ | 1.5 to 5.0 V | – | 350 | 600 | ns |
| t_{OFF} | Turn–Off Time, S to Output | $R_L = 50\ \Omega, C_L = 0\text{ pF}, V_{SW} = 0\text{ V}, V_{SW} = 0.6\text{ V}$ | 1.5 to 5.0 V | – | 125 | 300 | ns |
| $t_{ZHM,ZL}$ | Enable Time, \overline{OE} to Output | $R_L = 50\ \Omega, C_L = 0\text{ pF}, V_{SW} = 0.6\text{ V}$ | 1.5 to 5.0 V | – | 60 | 150 | μs |
| $t_{LZM,HZ}$ | Disable Time, \overline{OE} to Output | $R_L = 50\ \Omega, C_L = 0\text{ pF}, V_{SW} = 0.6\text{ V}$ | 1.5 to 5.0 V | – | 35 | 240 | ns |
| t_{PD} | Propagation Delay (Note 5) | $C_L = 0\text{ pF}, R_L = 50\ \Omega$ | 1.5 to 5.0 V | – | 60 | – | ps |
| t_{BBM} | Break–Before–Make (Note 5) | $R_L = 50\ \Omega, C_L = 0\text{ pF}, V_{SW1} = 0.6\text{ V}, V_{SW2} = -0.6\text{ V}$ | 1.5 to 5.0 V | 100 | – | 350 | ns |
| DO_{IRR} | Differential Off Isolation (Note 5) | $V_S = 0\text{ dBm}, R_L = 50\ \Omega, f = 2.5\text{ GHz}$ | 3.6 V | – | –28 | – | dB |
| | | $V_S = 0\text{ dBm}, R_L = 50\ \Omega, f = 5.0\text{ GHz}$ | | | –25 | | |
| SDDNEXT | Differential Channel Crosstalk (Note 5) | $V_S = 0\text{ dBm}, R = 50\ \Omega, f = 2.5\text{ GHz}$ | 3.6 V | – | –44 | – | dB |
| | | $V_S = 0\text{ dBm}, R = 50\ \Omega, f = 5.0\text{ GHz}$ | | | –40 | | |
| DIL | Differential Insertion Loss (Note 5) (All Data Paths) | $V_{IN} = 0\text{ dBm}, f = 2.5\text{ GHz}, R_L = 50\ \Omega, C_L = 0\text{ pF}$ | 3.6 V | – | –1.0 | – | dB |
| | | $V_{IN} = 0\text{ dBm}, f = 5.0\text{ GHz}, R_L = 50\ \Omega, C_L = 0\text{ pF}$ | | | –1.8 | | |
| BW | Differential, –3 dB Bandwidth (Note 5) | $V_{IN} = 1\text{ Vpk-pk}, R_L = 50\ \Omega, C_L = 0\text{ pF}$ (Both Data Paths) | 3.6 V | – | 10 | – | GHz |
| $t_{SK(P)}$ | Skew of Opposite Transitions of the Same Output (Note 5) | $R_{PU} = 50\ \Omega\text{ to }V_{DD}, C_L = 0\text{ pF}$ | 3.6 V | – | 6 | – | ps |
| C_{IN} | Control Pin Input Capacitance (Note 5) | $V_{DD} = 0\text{ V}, f = 1\text{ MHz}$ | | – | 2.7 | – | pF |
| C_{ON} | On Capacitance (Note 5) | $V_{DD} = 3.3\text{ V}, f = 2.5\text{ GHz}$ | | – | 0.5 | – | pF |
| C_{OFF} | Off Capacitance (Note 5) | $V_{DD} = 3.3\text{ V}, f = 2.5\text{ GHz}$ | | – | 0.4 | – | pF |

Product parametric performance is indicated in the Electrical Characteristics for the listed test conditions, unless otherwise noted. Product performance may not be indicated by the Electrical Characteristics if operated under different conditions.

5. Guaranteed by characterization.

FUSB340

EYE DIAGRAMS

(All plots below are for $V_{DD} = 3.6\text{ V}$ and $T_A = 25^\circ\text{C}$ with 0 dBm differential data.)

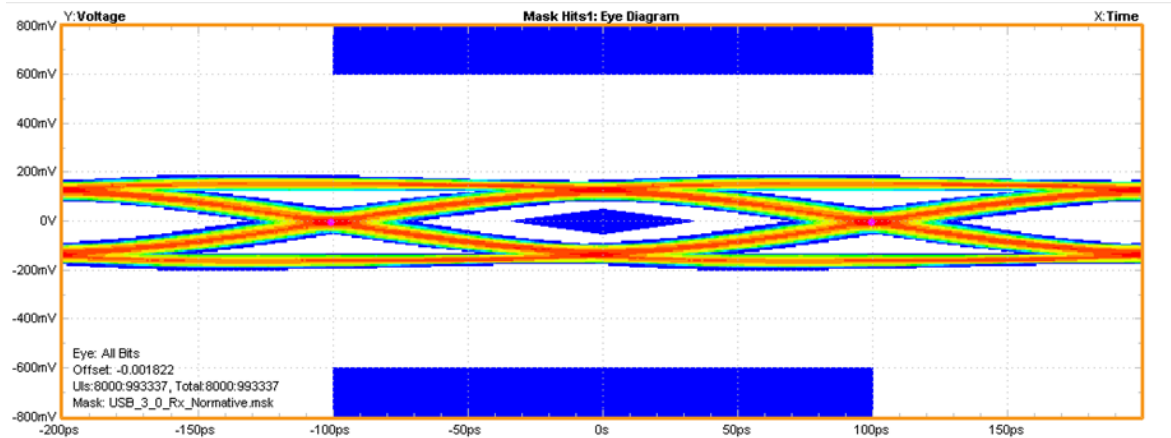


Figure 4. 5 Gbps Eye Diagram with Eye Mask

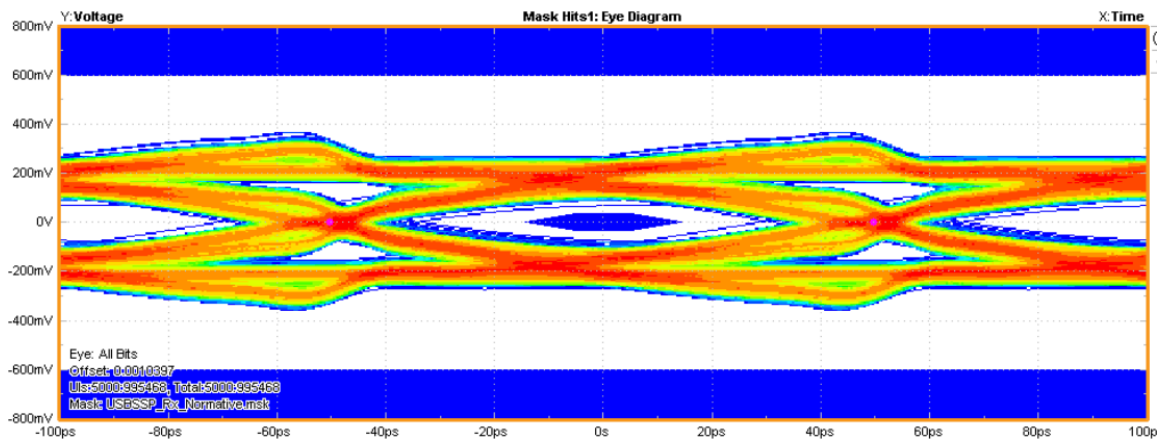


Figure 5. 10 Gbps Eye Diagram with Eye Mask

ORDERING INFORMATION

| Part Number | Operating Temperature Range | Package | Shipping† |
|-------------|-----------------------------|---|---------------------|
| FUSB340TMX | -40 to +85°C | 18-Lead, Quad, Ultra-ultrathin Molded Leadless Package (TMLP), 2.0 mm × 2.8 mm × 0.375 mm | 5,000 / Tape & Reel |

†For information on tape and reel specifications, including part orientation and tape sizes, please refer to our Tape and Reel Packaging Specifications Brochure, BRD8011/D.

The table below pertains to the UMLP Package drawing on the following page.

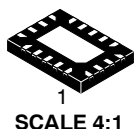
PRODUCT-SPECIFIC DIMENSIONS

| Product | A | B |
|------------|---------|---------|
| FUSB340TMX | 2.00 mm | 2.80 mm |

MECHANICAL CASE OUTLINE

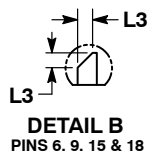
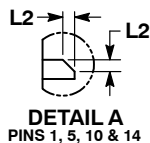
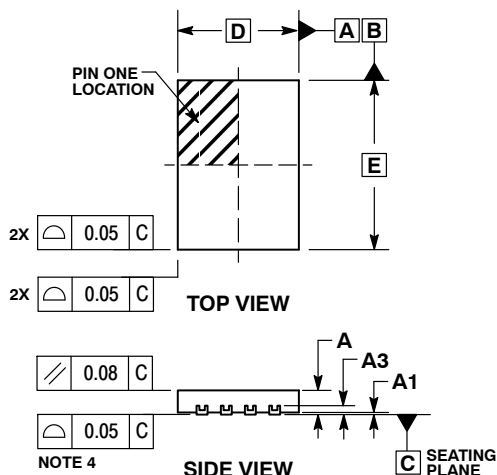
PACKAGE DIMENSIONS

ON Semiconductor®



X2QFN18, 2.0x2.8, 0.4P
CASE 722AB
ISSUE O

DATE 17 MAY 2016

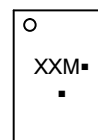


NOTES:

1. DIMENSIONING AND TOLERANCING PER ASME Y14.5M, 1994.
2. CONTROLLING DIMENSION: MILLIMETERS
3. DIMENSION b APPLIES TO PLATED TERMINAL AND IS MEASURED BETWEEN 0.15 AND 0.25 MM FROM THE TERMINAL TIP.
4. COPLANARITY APPLIES TO THE EXPOSED PAD AS WELL AS THE TERMINALS.

| DIM | MILLIMETERS | |
|-----|-------------|------|
| | MIN | MAX |
| A | --- | 0.40 |
| A1 | 0.00 | 0.05 |
| A3 | 0.13 REF | |
| b | 0.13 | 0.23 |
| D | 2.00 BSC | |
| D2 | 0.90 | 1.00 |
| E | 2.80 BSC | |
| E2 | 1.70 | 1.80 |
| e | 0.40 BSC | |
| L | 0.25 | 0.35 |
| L2 | 0.11 REF | |
| L3 | 0.14 REF | |

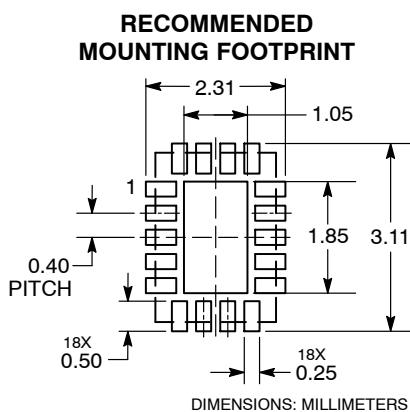
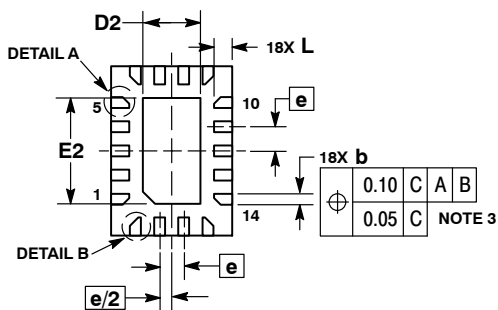
GENERIC MARKING DIAGRAM*



- XX = Specific Device Code
- M = Month Code
- = Pb-Free Package

(Note: Microdot may be in either location)

*This information is generic. Please refer to device data sheet for actual part marking. Pb-Free indicator, "G", may or not be present.



*For additional information on our Pb-Free strategy and soldering details, please download the ON Semiconductor Soldering and Mounting Techniques Reference Manual, SOLDERRM/D.

| | | |
|-------------------------|---------------------------------|--|
| DOCUMENT NUMBER: | 98AON11641G | Electronic versions are uncontrolled except when accessed directly from the Document Repository. Printed versions are uncontrolled except when stamped "CONTROLLED COPY" in red. |
| DESCRIPTION: | X2QFN18, 2.0 X 2.8, 0.4P | PAGE 1 OF 1 |

ON Semiconductor and ON are trademarks of Semiconductor Components Industries, LLC dba ON Semiconductor or its subsidiaries in the United States and/or other countries. ON Semiconductor reserves the right to make changes without further notice to any products herein. ON Semiconductor makes no warranty, representation or guarantee regarding the suitability of its products for any particular purpose, nor does ON Semiconductor assume any liability arising out of the application or use of any product or circuit, and specifically disclaims any and all liability, including without limitation special, consequential or incidental damages. ON Semiconductor does not convey any license under its patent rights nor the rights of others.

onsemi, **Onsemi**, and other names, marks, and brands are registered and/or common law trademarks of Semiconductor Components Industries, LLC dba "**onsemi**" or its affiliates and/or subsidiaries in the United States and/or other countries. **onsemi** owns the rights to a number of patents, trademarks, copyrights, trade secrets, and other intellectual property. A listing of **onsemi**'s product/patent coverage may be accessed at www.onsemi.com/site/pdf/Patent-Marking.pdf. **onsemi** reserves the right to make changes at any time to any products or information herein, without notice. The information herein is provided "as-is" and **onsemi** makes no warranty, representation or guarantee regarding the accuracy of the information, product features, availability, functionality, or suitability of its products for any particular purpose, nor does **onsemi** assume any liability arising out of the application or use of any product or circuit, and specifically disclaims any and all liability, including without limitation special, consequential or incidental damages. Buyer is responsible for its products and applications using **onsemi** products, including compliance with all laws, regulations and safety requirements or standards, regardless of any support or applications information provided by **onsemi**. "Typical" parameters which may be provided in **onsemi** data sheets and/or specifications can and do vary in different applications and actual performance may vary over time. All operating parameters, including "Typicals" must be validated for each customer application by customer's technical experts. **onsemi** does not convey any license under any of its intellectual property rights nor the rights of others. **onsemi** products are not designed, intended, or authorized for use as a critical component in life support systems or any FDA Class 3 medical devices or medical devices with a same or similar classification in a foreign jurisdiction or any devices intended for implantation in the human body. Should Buyer purchase or use **onsemi** products for any such unintended or unauthorized application, Buyer shall indemnify and hold **onsemi** and its officers, employees, subsidiaries, affiliates, and distributors harmless against all claims, costs, damages, and expenses, and reasonable attorney fees arising out of, directly or indirectly, any claim of personal injury or death associated with such unintended or unauthorized use, even if such claim alleges that **onsemi** was negligent regarding the design or manufacture of the part. **onsemi** is an Equal Opportunity/Affirmative Action Employer. This literature is subject to all applicable copyright laws and is not for resale in any manner.

PUBLICATION ORDERING INFORMATION

LITERATURE FULFILLMENT:

Email Requests to: orderlit@onsemi.com

onsemi Website: www.onsemi.com

TECHNICAL SUPPORT

North American Technical Support:
Voice Mail: 1 800-282-9855 Toll Free USA/Canada
Phone: 011 421 33 790 2910

Europe, Middle East and Africa Technical Support:

Phone: 00421 33 790 2910

For additional information, please contact your local Sales Representative